

Date tehnice pentru produs: MGR30000--

# Analizor de rețea MF7-45 pentru măsură indirectă



## Fișe tehnice

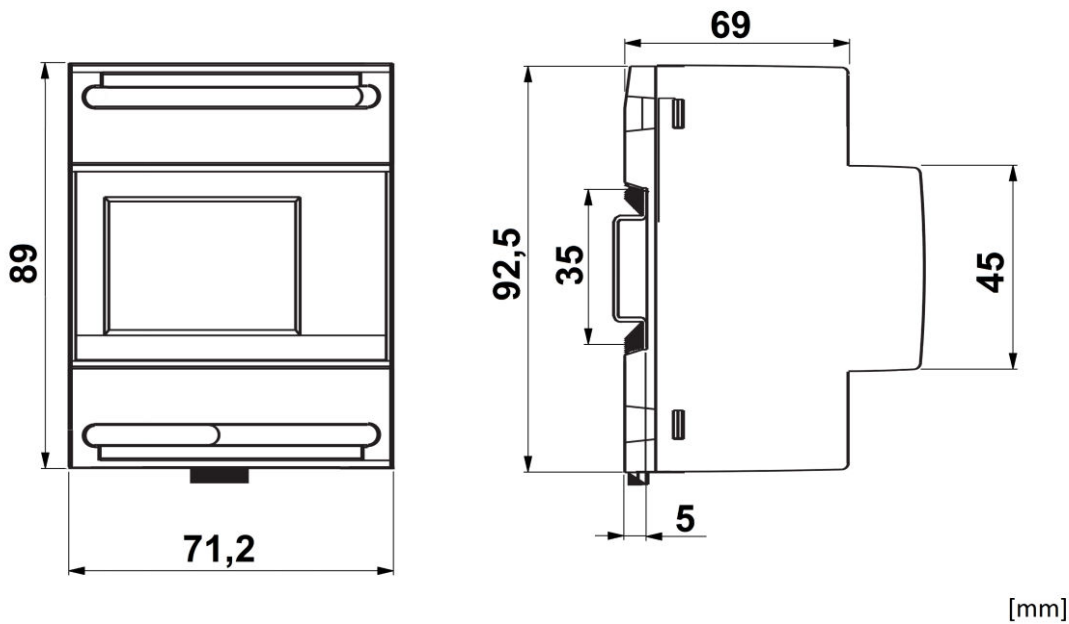
Tip	modular 45mm
<b>Afișaj</b>	
Display values	Current-conductor and neutral current Display voltage phase-phase and phase-N Average current Maximum value of the average current Frequency Operating hours (hours and minutes)
Afișaj	LCD with backlight
Backlight	switches off automatically after 20 seconds without operation
Display indication	10.000 points (4 digits)
Measured variable unit	automatic, depending on the setting of the transformer primary current
Resolution	automatic, with the max. possible decimal places
Measuring cycle time (s)	1,20
<b>Accuracy</b>	
Voltage (tolerance)	$\pm 0,5\%$ (80...450 V phase - phase)
Current (tolerance)	$\pm 0.5\%$ (10...120% I <sub>n</sub> )
Power (tolerance)	$\pm 1,5\%$ (10...120% cos $\phi$ 0,5 ind...0,5kap.)

## Fișe tehnice - Continuare

Neutral current (tolerance) (%)	± 2%
Frequency (tolerance)	± 0.2 Hz
<b>Average current</b>	
Indication in display	Average current and its maximum value
Integration time	adjustable 5/8/10/15/20/30/60 minutes
Calculation	Average value for current and active power over the set time period
Reset	manually via keys
<b>Programming</b>	
Buton	via 2 keys
Programming access	Key combination
Data storage	into non-volatile memory (without battery)
<b>Programmable parameters</b>	
Tip rețea	Alternating current network - three-phase network (4-wire)
Primary currents (A)	5, 10, 15, 20, 25, 30, 40, 50, 60, 70, 75, 80, 100, 120, 125, 150, 160, 200, 250, 300, 400, 500, 600, 700, 750, 800, 1000, 1200, 1250, 1500, 1600, 2000, 2500, 3000, 3200, 4000, 5000, 6000, 7000, 7500, 8000 A
Current average	Integration time, reset of the maximum value
Operating hours counter	Reset
<b>Input</b>	
Mains type	Alternating current network and 4-wire three-phase network
Voltage (three-phase network)	80...600 V (phase-phase)
Voltage (alternating current network)	50...350 V
Nominal current (input)	5A
Overload (continuous)	1.2 I <sub>n</sub>
Overload (short-time)	20 I <sub>n</sub> / 0.5 seconds
Tip conexiune	only in connection with external current transformers which have inputs a common point (connection 3 - 6 - 9)
Rated frequency (Hz)	50
Working frequency (Hz)	47...63
Measuring method	True RMS conversion
Harmonic content	up to the 16th harmonic
Self-consumption (voltage path)	≤ 1 VA (per phase)
Self-consumption (current path)	≤ 0.5 VA (per phase)
<b>Auxiliary voltage</b>	
Auxiliary voltage U <sub>aux</sub>	230 - 240 V
Toleranță	0,85...1,1 U <sub>aux</sub>
Rated frequency (auxiliary voltage)	50 Hz
Operating frequency (auxiliary voltage)	47 ... 63 Hz
Consum de putere	≤ 5 VA – 2,5 W
Isolation	Insulation according to EN 60439-1
Installation category	III
Grad de poluare	2

## Fișe tehnice - Continuare

Insulation voltage	660 V
Isolation test voltage	4 kV R.M.S. 50 Hz/ 1 min
Test circuit	all circuits and ground
<b>Electromagnetic compatibility</b>	
Emission test	according to EN 61000-6-3
Immunity test	according to EN 61000-6-2
<b>Working conditions</b>	
Reference temperature (°C)	23 ± 2
Temperatură de funcționare	-5°C to +55°C
Gama de temperatură - Transport/Depozitare (°C)	-25 to +70
Temperature influence (°C)	≤ 0,1% / °C
Umiditate relativă (%)	0 ... 95%
disipare (W)	8,00
<b>Carcasă</b>	
Housing type	4 Module DIN 43880 (71.2 mm wide)
Connection (current)	Wire (flexible) min. 0,05 mm <sup>2</sup> / max. 2,5mm <sup>2</sup> Wire (fixed) min. 0,05 mm <sup>2</sup> / max. 4mm <sup>2</sup>
Connection (voltage)	Wire (fixed) min. 0.05 mm <sup>2</sup> / max. 4mm <sup>2</sup> Wire (flexible) min. 0.05 mm <sup>2</sup> / max. 2.5mm <sup>2</sup>
Metodă de montaj	snap-on DIN rail 35 mm
DIN rail	TH35-15 (EN60715)
Housing material	Polycarbonate, self-extinguishing
Grad de protecție	IP54 (front), IP20 (connections)

**MGR30000 Maßskizze**

Descriere	Cod comandă
Analizor de rețea MF7-45 pentru măsură indirectă	MGR30000